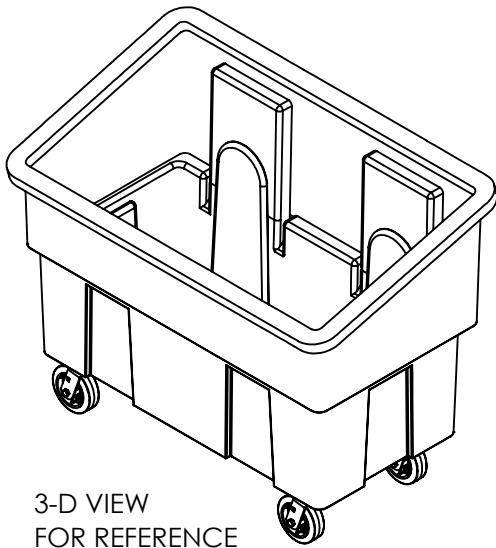


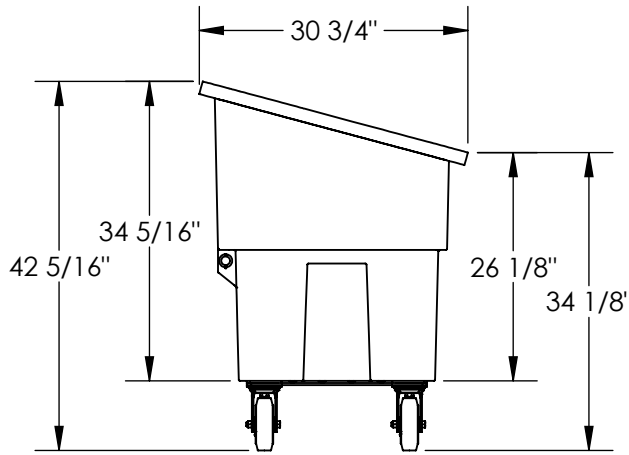
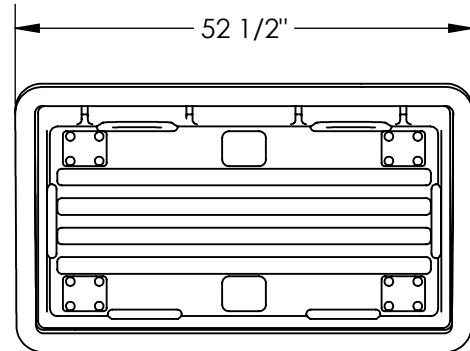
# MULTI-PURPOSE TOTE - MPT-2

APPROX WEIGHT: 194.16 lbs.  
DOES NOT INCLUDE WEIGHT OF POWER OR PACKAGING!!!

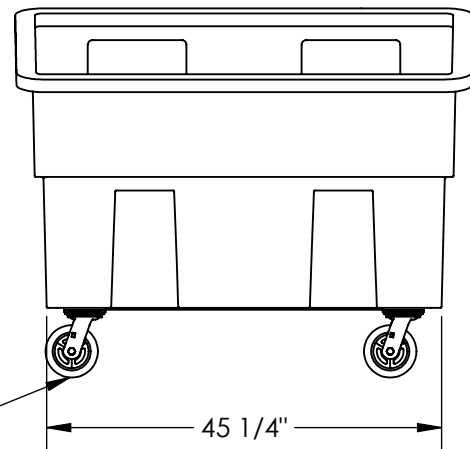
\*\*\*ANY ADDITIONS, DELETIONS, OR OMISSIONS MUST BE CORRECTED ON THIS DRAWING AS THIS DRAWING WILL BE CONSIDERED ALL INCLUSIVE\*\*\*



3-D VIEW  
FOR REFERENCE



(4) 6" X 2" MOLD ON RUBBER  
SWIVEL CASTERS



DIMENSION TOLERANCE  $\pm 1/4$ "

ALL GRAPHICS PROVIDED ARE FOR REFERENCE ONLY. IF CERTAIN DIMENSIONS ARE CRITICAL PLEASE VERIFY THOSE DIMENSIONS WITH YOUR SALESPERSON

## STANDARD FEATURES

- MODEL NUMBER IS MPT-2
- OVERALL WIDTH IS 52 1/2"
- OVERALL DEPTH IS 30 3/4"
- REAR HEIGHT IS 42 5/16"
- FRONT HEIGHT IS 34 1/8"
- MAX CAPACITY IS 600 LBS
- MADE OF TOUGH POLYETHYLENE
- BLACK IS STANDARD COLOR
- (4) 6" X 2" MOLD ON RUBBER SWIVEL CASTERS
- VOLUME CAPACITY: 1/2 CUBIC YARD

## SPECIAL FEATURES

NONE

APPROVAL

I, THE UNDERSIGNED, AGREE THAT THE PRODUCT AS REPRESENTED SATISFIES DESIGN AND DIMENSION REQUIREMENTS. I ALSO ACKNOWLEDGE MY DUTY TO CONFIRM PRODUCT AND INSTALLATION COMPLIANCE WITH ALL APPLICABLE FEDERAL, STATE AND LOCAL REGULATIONS AND STANDARDS.  
**UNITS REQUIRING APPROVAL DRAWINGS OR MODIFIED ARE NON-RETURNABLE**

[ ] As drawn [ ] As marked

Signed: \_\_\_\_\_ Date: \_\_\_\_\_

Printed Name: \_\_\_\_\_

LEAD TIME WILL START UPON RECEIPT OF SIGNED APPROVAL DRAWING

DISTRIBUTOR'S NAME:		P.O.#
VESTIL MANUFACTURING		X
DRAWN BY: DEY		DATE: 12/20/11
DATE: 12/20/11		SALES: X
REFERENCE: X	SCALE: 1:22	FILE NAME:
QUOTED LEAD TIME: X	QUOTE #	34-007-039
	X	